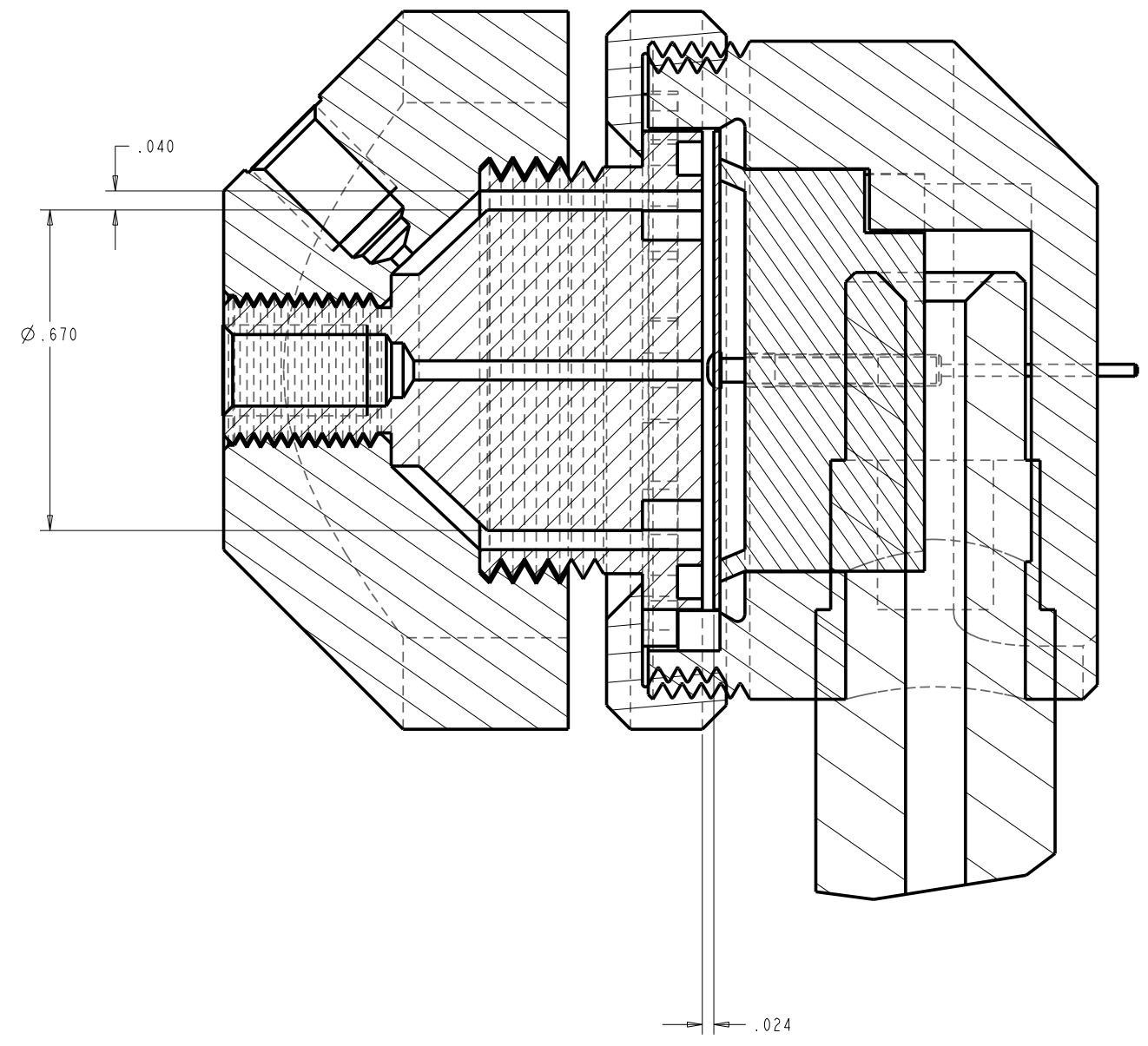
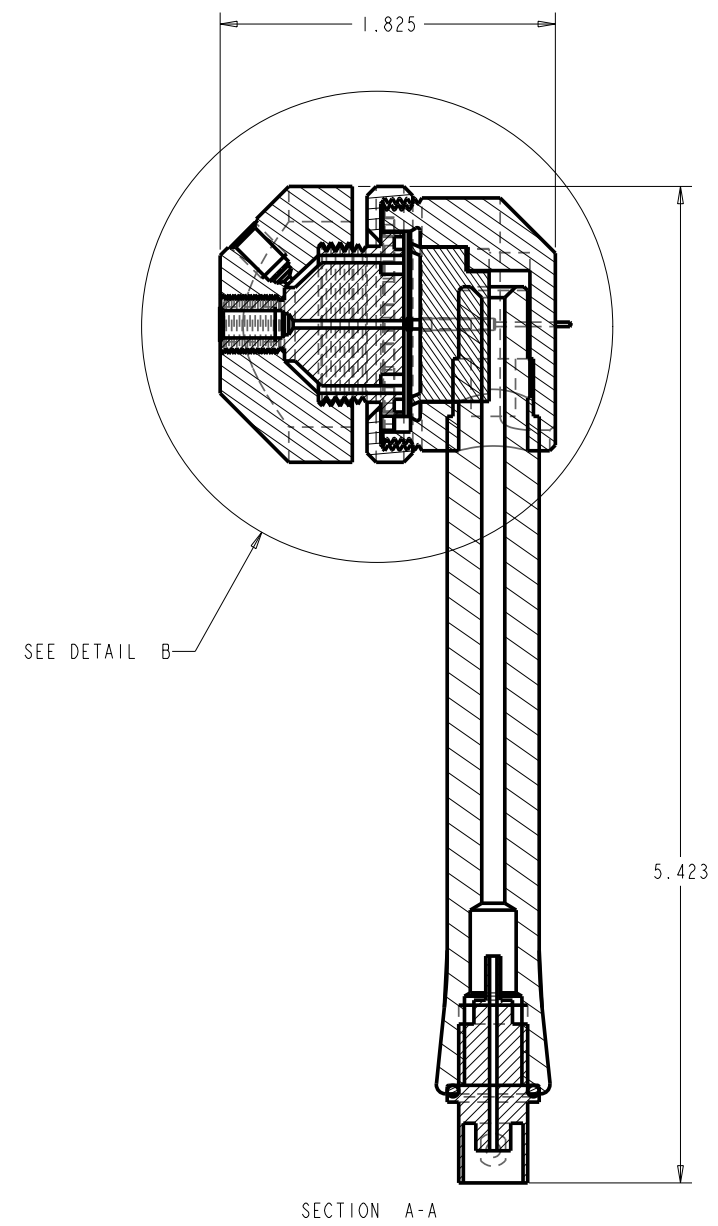
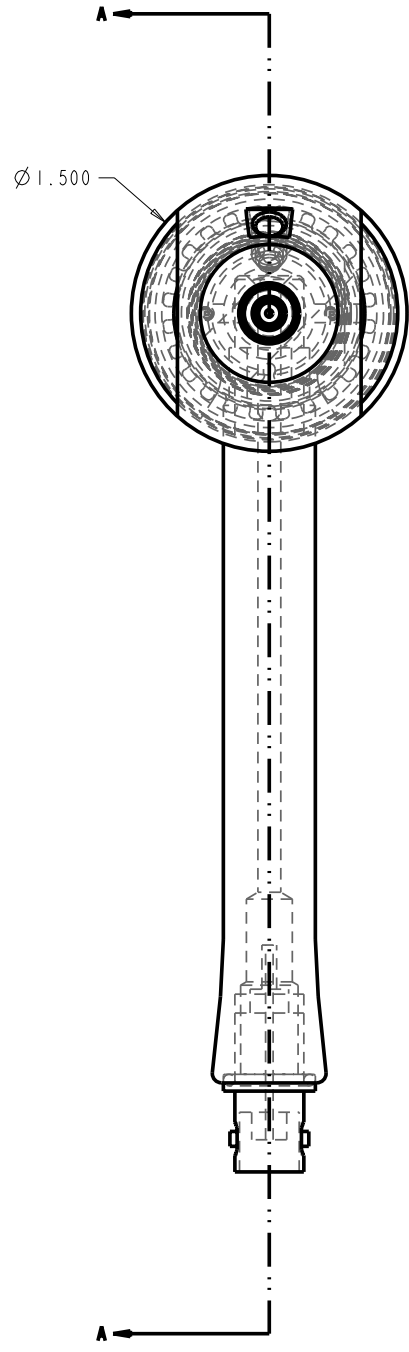


REVISIONS			
REV	DESCRIPTION	DATE	APPROVED



DETAIL B
SCALE 6.000

MATERIAL	UNLESS OTHERWISE SPECIFIED, DIMENSIONS ARE IN INCHES.	STANFORD RESEARCH SYSTEMS, INC. 1290-D Redwood Avenue, Sunnyvale, CA 94089	
FINISH	TOLERANCES: .x ± .xx ± .xxx ± ANGLE ±	DRAWING TITLE: ASM, EQCM, AXIAL FLOW CELL	
	ENG BY/DATE	SIZE/PRO/E FILENAME: D	SRS PART NO.
	DWN BY/DATE	SCALE: 2.00	REV A
NEXT ASSY	USED ON	DO NOT SCALE DRAWING	SHEET: 1 OF 1

8 7 6 5 4 3 2 1

D

D

C

C

B

B

A

A

8 7 6 5 4 3 2 1